

## Heatsinks for Power LEDs

## Index



**KHS111**

Page 02



**KHS35**

Page 03



**KHS500**

Page 04



**KHS502**

Page 05



**KHS67**

Page 06

- *All rights reserved. No part of this publication may be copied, reproduced in any form or by any means, electronic, mechanical, photocopying, recording or otherwise, illustrations removed, without our prior permission.  
Khatod Optoelectronic srl reserves the right to make changes at any time in order to supply the best products possible.*

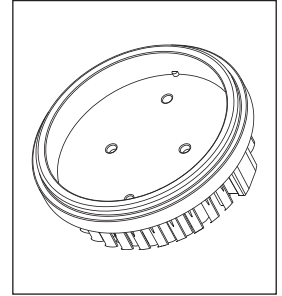
# Heatsinks for Power LEDs

# KHS111



## KHS111

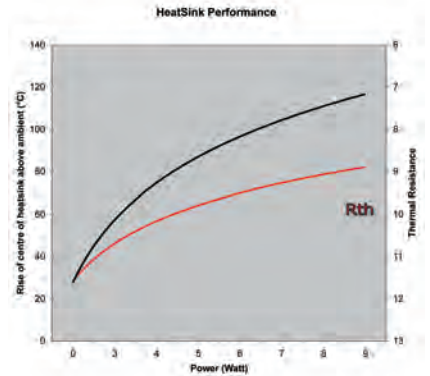
- ▶ High efficiency
- ▶ Most applications where a compact light source is required
- ▶ Standard AR111



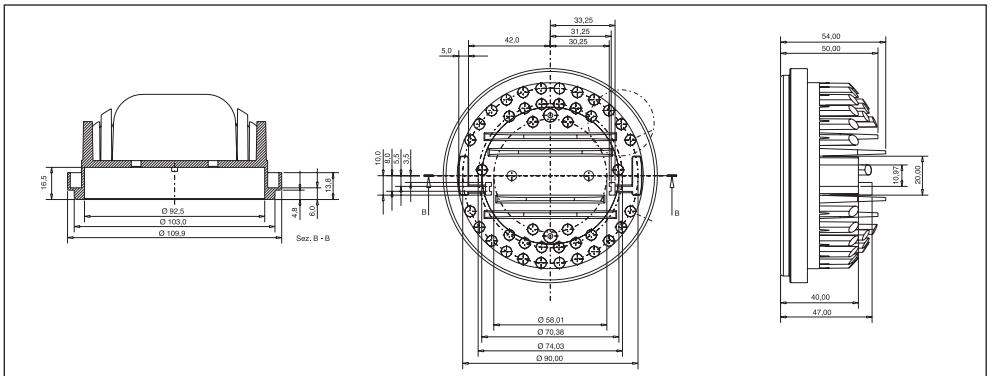
Part Number	LED type
<b>KHS 111</b>	Power LEDs 1W / 3W

### Technical data:

- $R_{th} (\text{°C/W}) = 10,3\text{°C/W}$
- $W/mK = 193 - 200$  (Therm cond.)
- Material: Aluminium ALMgSi0,5  
UNI 6060 DIN 1725
- $\text{Kg/dm}^3 = 2,7$  (Spec. gravity)



For further information visit our web site: [www.khatod.com](http://www.khatod.com)



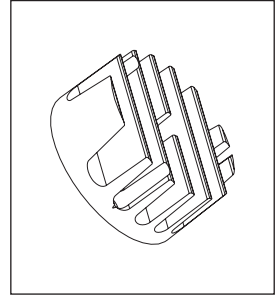
# Heatsinks for Power LEDs

**KHS35**



**KHS35**

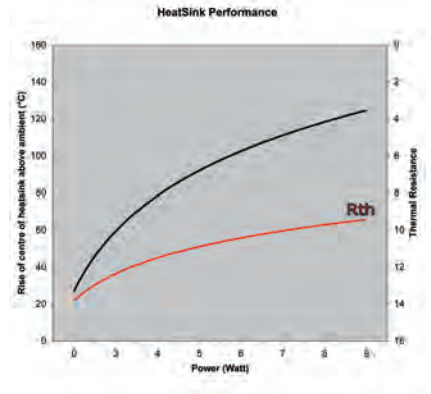
- ▶ High efficiency
- ▶ Most applications where a compact light source is required



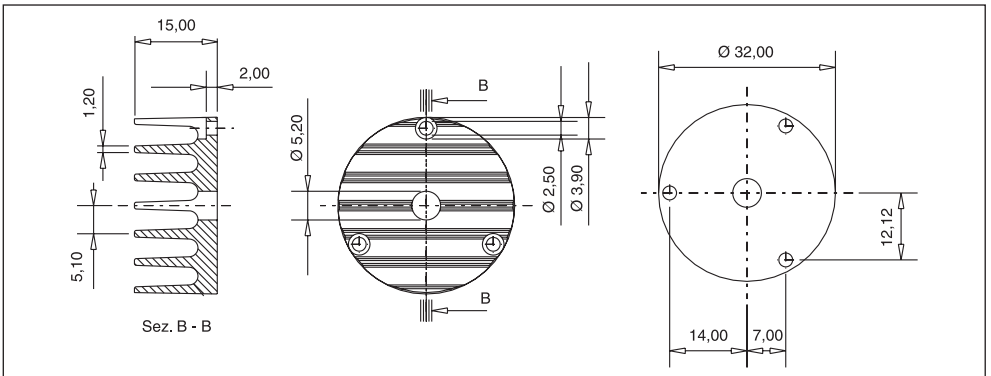
Part Number	LED type
<b>KHS 35</b>	Power LEDs 1W

**Technical data:**

- $R_{th} (\text{°C/W}) = 12,3\text{°C/W}$
- $W/mK = 193 - 200$  (Therm cond.)
- Material: Aluminium ALMgSi0,5  
UNI 6060 DIN 1725
- $Kg/dm^3 = 2,7$  (Spec. gravity)



For further information visit our web site: [www.khatod.com](http://www.khatod.com)



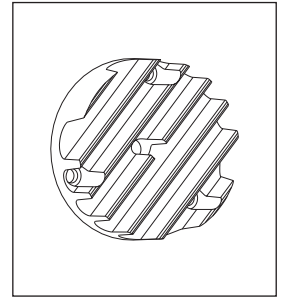
# Heatsinks for Power LEDs

**KHS500**



**KHS500**

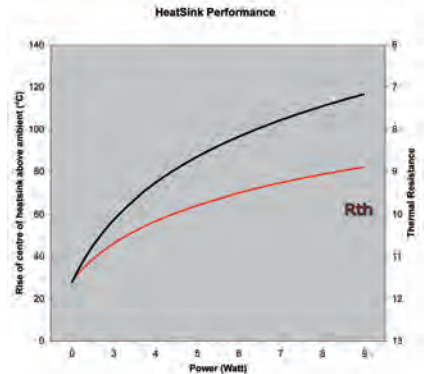
- ▶ High efficiency
- ▶ Most applications where a compact light source is required



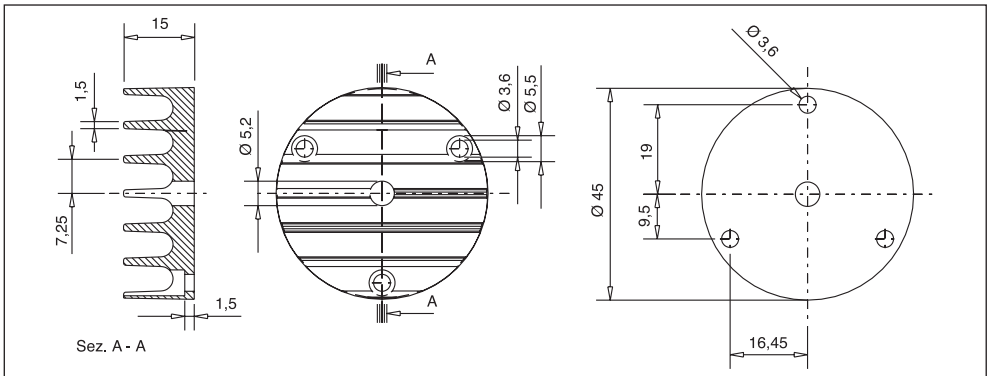
Part Number	LED type
<b>KHS 500</b>	Power LEDs 1W / 3W

**Technical data:**

- $R_{th} (\text{°C/W}) = 10,3\text{°C/W}$
- $W/mK = 193 - 200$  (Therm comd.)
- Material: Aluminium ALMgSi0,5  
UNI 6060 DIN 1725
- $Kg/dm^3 = 2,7$  (Spec. gravity)



For further information visit our web site: [www.khatod.com](http://www.khatod.com)



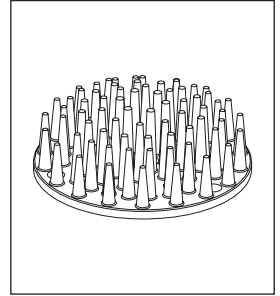
# Heatsinks for Power LEDs

# KHS502



## KHS502

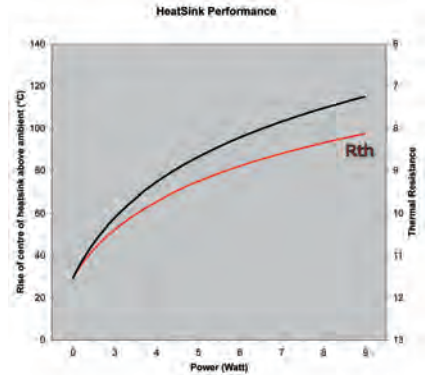
- ▶ High efficiency
- ▶ Most applications where a compact light source is required



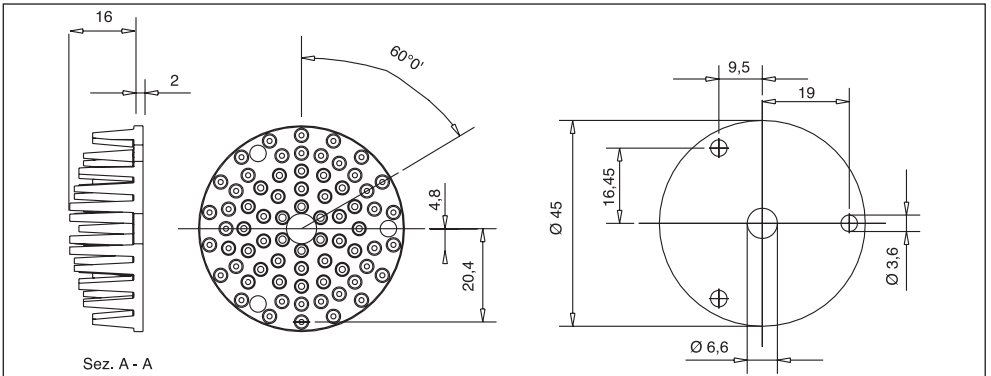
Part Number	LED type
<b>KHS 502</b>	Power LEDs 1W / 3W

**Technical data:**

- $R_{th} (\text{°C/W}) = 11\text{°C/W}$
- $W/mK = 193 - 200$  (Therm cond.)
- Material: Aluminium ALMgSi0,5  
UNI 6060 DIN 1725
- $\text{Kg/dm}^3 = 2,7$  (Spec. gravity)



For further information visit our web site: [www.khatod.com](http://www.khatod.com)



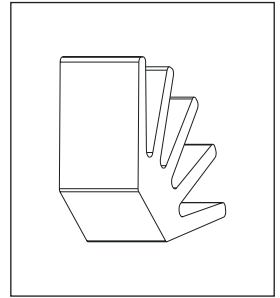
## Heatsinks for Power LEDs

**KHS67**



### KHS67

- ▶ High efficiency
- ▶ Most applications where a compact light source is required



**Part Number**

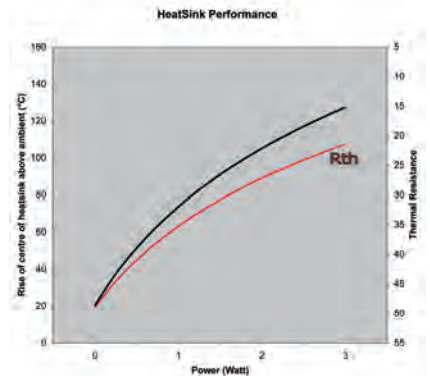
**KHS 67**

**LED type**

Power LEDs 1W

#### Technical data:

- $R_{th} (\text{°C/W}) = 33\text{°C/W}$
- $W/mK = 193 - 200$  (Therm cond.)
- Material: Aluminium ALMgSi0,5  
UNI 6060 DIN 1725
- $\text{Kg/dm}^3 = 2,7$  (Spec. gravity)



For further information visit our web site: [www.khatod.com](http://www.khatod.com)

